

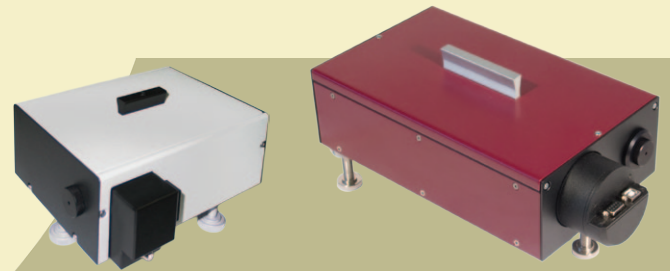


Diagnostics



ASF Single-Shot Autocorrelator

- CCD detector
- Sensitivity 1 μ J
- LabView driver included



The ASF-15M and the ASF-200 single-shot autocorrelators

Product overview

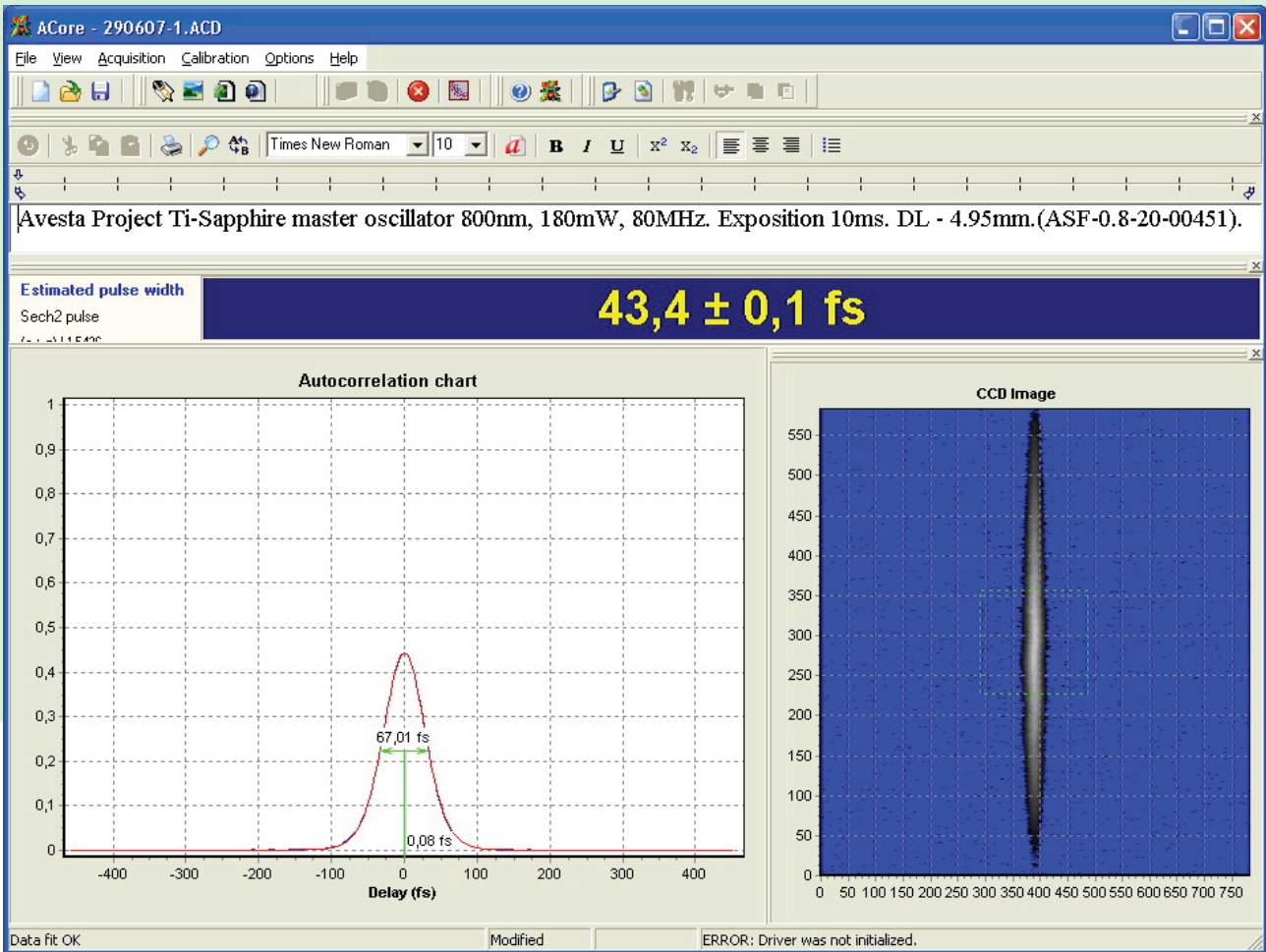
The ASF single-shot autocorrelator is designed for monitoring the pulse duration of ultrafast oscillators and amplifiers, as well as for real-time amplifier systems tuning. The CCD camera registers the transverse section of the non-collinear generation of the second harmonic of the input radiation (the SH is generated in a non-linear crystal). PC USB interface and Windows acquisition software provide for smooth and easy data transition and registration, while additional LabView-compatible drivers offer extended flexibility and on-line control in complex multi-stage experimental setups.

The two basic models offer measurement in ranges of 15 to 200 fs (the compact ASF-15M) and 200 to 2000 fs (ASF-200) with various wavelength ranges possible. Please feel free to enquire about custom pulse durations and wavelength ranges.

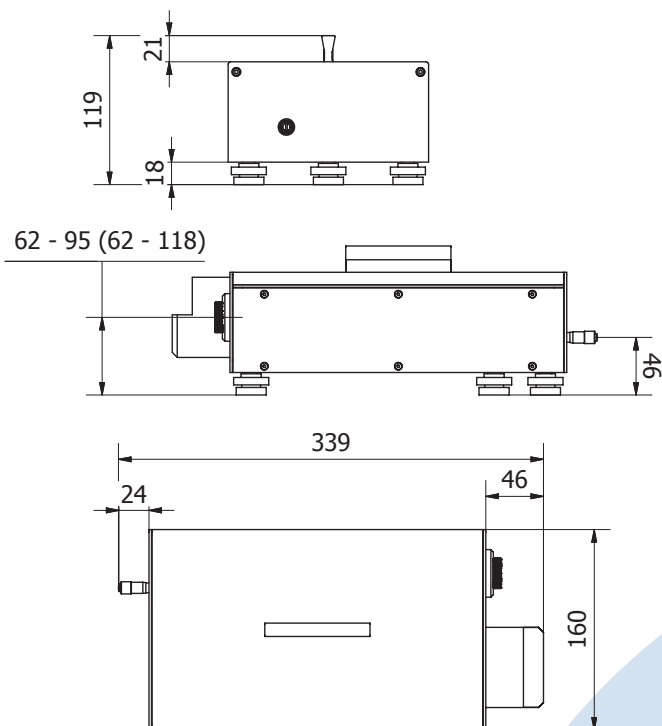
ASF technical specifications

	ASF-15M	ASF-200
Wavelength range, nm	700-1300 or 1300-2000*	
Pulse duration range, fs	15-200	200-2000
Input pulse energy, nJ	>1000 (1-10 Hz) >1.5 (>100 MHz)	
Input repetition rate, Hz	1-10 Hz in single-shot mode >10 Hz in multiple-shot mode	
Input polarization, linear	horizontal (vertical by request)	
Processing	USB controller	
Dimensions (LxWxH), mm	156x120x70	339x160x119

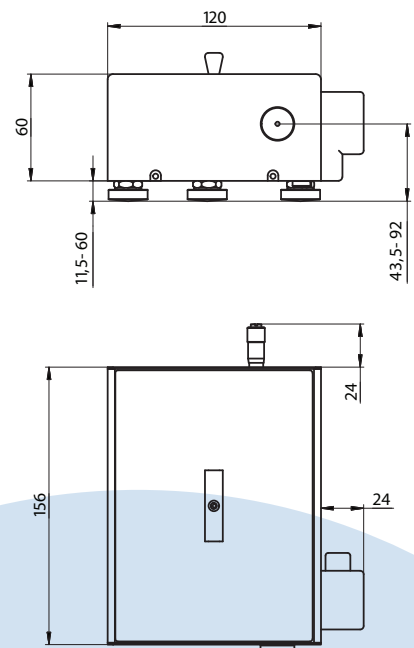
* - other wavelength ranges available on request



ASF software



ASF-200 dimensions in mm



ASF-15M dimensions in mm